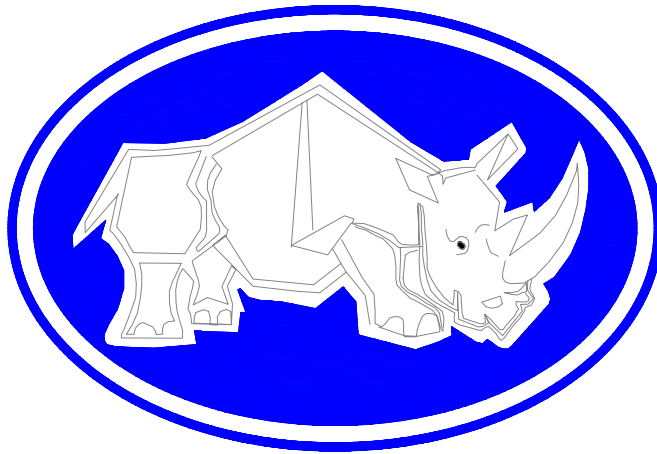


Rhino Marine



**Rhino 590
HDPE Workboat**

Details & Specifications

July 2006

rhinomarine@iafrica.com

Technical Specification

Material	:	High Density Polyethylene	
Length Overall	:	5,90 m	(19 ft 4 in)
Breadth	:	2,20 m	(7 ft 3 in)
Depth			
Platform	:	1,16 m	(3 ft 10 in)
Pontoon	:	1,05 m	(3 ft 5 in)
Light Draft	:	497 mm	(1 ft 7 in)
Tare Weight	:	700 kg	(1,540 lb)
Max Payload	:	1,500 kg	(3,300 lb)
Sealed Buoyancy Compartments	:	7	
Max Personnel	:	9 (including Coxswain)	
Power Requirements			
Min Power	:	40 hp (recommendation)	
Number Motors	:	1 or 2	
Shaft Length	:	508 mm (long shaft)	
Fuel Tanks (optional)	:	up to 150 litres in each pontoon	

Standard Accessories

- 3 leg lifting sling
- Passenger transfer handrail
- Heavy duty rubber “D” section bow fenders
- All fasteners stainless steel

Optional Accessories

- Built-in Fuel Tanks (150 litre)
- Control Console
- Pontoon Seats and Central aisle seats
- Road trailer or 4x4 Off-road trailer
- Outboard or 140 hp water jet drive – Diesel Yanmar
- Self-righting frame
- Offshore Recovery Cradle and Deck Cradle

Advantages of the Rhino Workboat

The Rhino 590 is designed and manufactured to provide a solution for a durable offshore workboat for commercial & military use. Traditionally rigid hull inflatables and aluminium boats have been used as workboats, but this HDPE boat has advantages over both in many situations.

Application	Fibreglass RHIB	Aluminium	Rhino 590
Impact Resistance	Poor	Good	Excellent
Repair ability	Good	Good	Excellent
Mass	Good	Excellent	Poor
General Abuse Resistance	Poor	Poor	Excellent
UV Resistance	Poor	Excellent	Excellent
Operator Skill Level	Skilled	OK	Unskilled
Maintenance Requirements	High	High	Low
Sandy Beach Landings	Good	Good	Good
Rocky Beach Landings	Poor	Poor	Excellent
Puncture Resistance	Poor	Good	Excellent

Description:

The Rhino Craft is designed as a robust & virtually indestructible replacement to the inflatable rigid hull workboat for use in the offshore & marine construction environments.

The boat is made exclusively from High Density Polyethylene (HDPE). The keel is 30mm HDPE plate, the pontoons are Φ 500mm x 15,2 mm W.T extruded HDPE pipe. The frames, decking & hull are made from 10 mm to 25mm thick HDPE plate.

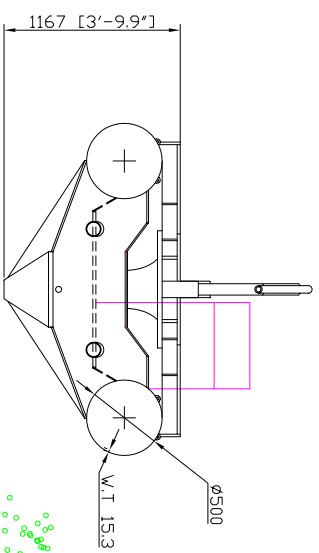
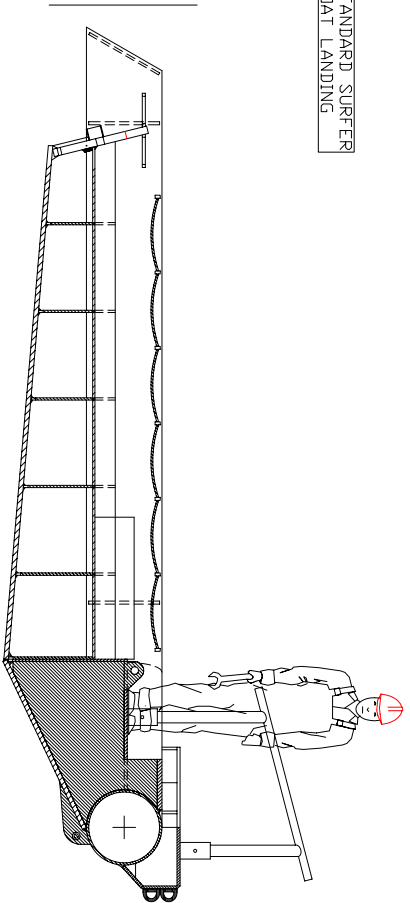
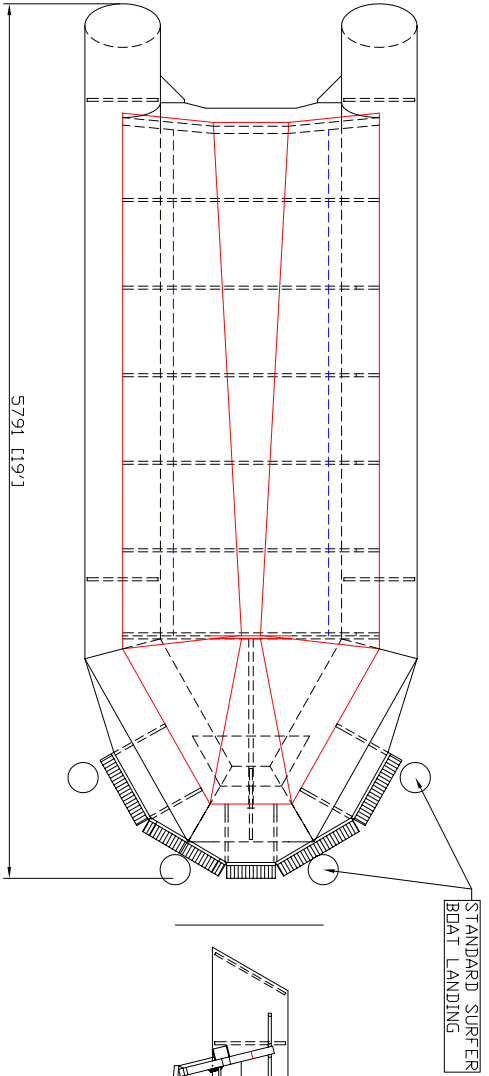
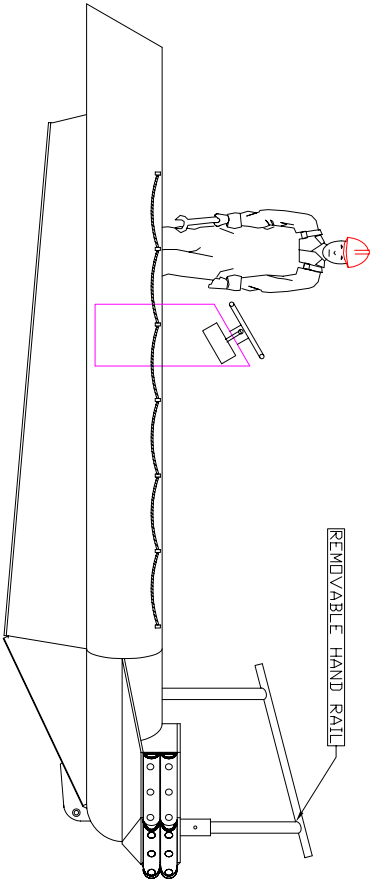
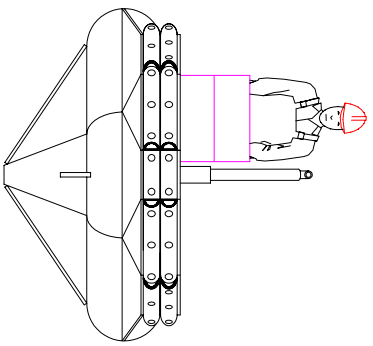
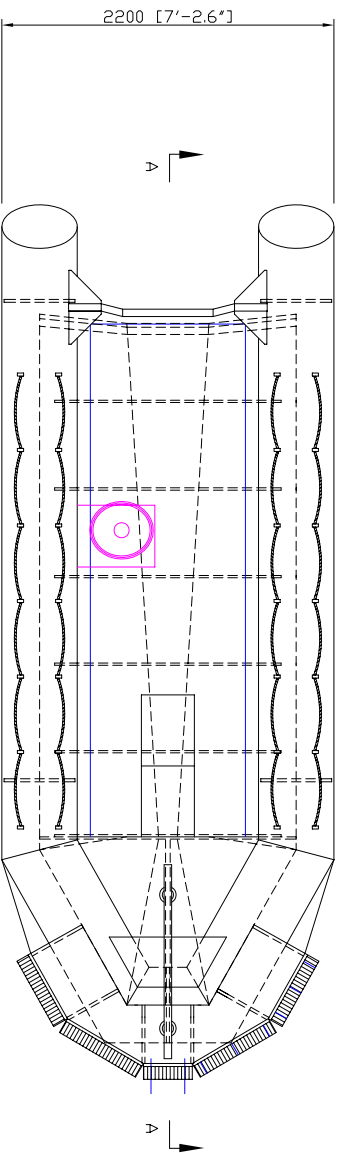
The frames and bulkheads are cut by a Numerically Controlled water jet and all the components are extrusion welded together, forming a workboat with 7 watertight compartments.

The deck is self-draining via 2 x 100 mm diameter “duckbill” drains through the transom.

The boat is adequately powered by 1 x 36 hp diesel outboard. The transom has been designed to accommodate 2 x outboard motors. It is possible to install a water jet drive powered by a 145 hp diesel engine

In case of damage to the boat, the HDPE can easily be repaired with an extrusion welder or molten plastic where no extrusion welder is available.





Rhino 590 HDPE Workboat
by
Rhino Marine

